



THE LEADERS IN RECREATION, FITNESS, AND ABILITY!

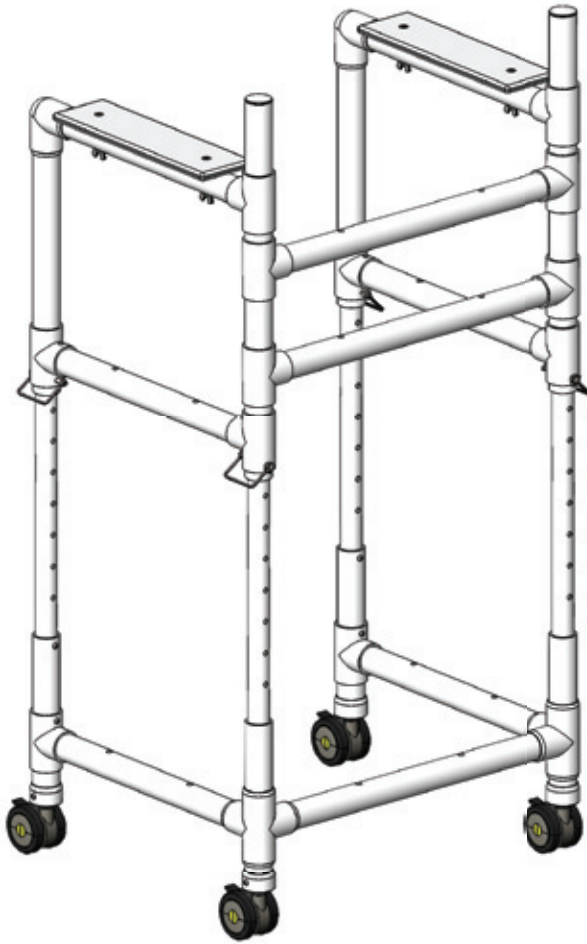
9889 Garrymore Ln

Missoula, MT 59808

888-687-3552 | +1-406-549-0769

www.aquacreek.com

Aqua Walker Manual



PART #: F-605UW

**MANDATORY – LEAVE THIS MANUAL
WITH TREADMILL OWNER**

Read and follow all instructions.

Safety can only be ensured if the walker is assembled and operated according to these instructions.

- NEVER permit children to use this product unless they are closely supervised at all times.
- Walker not intended for use out of water.
- For safety reasons, NEVER exercise alone in the water.

Assembling The Aqua Walker

If the KD (knocked down) version of the Aqua Walker was sent, the user will need to finish the assembly of the unit before it is ready for use.

Step 1: Assemble the base of the unit using the two (2) base sides and one (1) 18" long pvc tube.

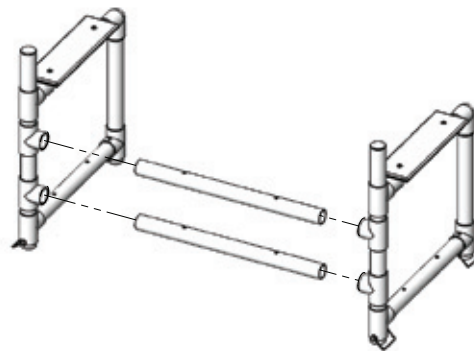
Step 2: Assemble the top half of the unit using the two (2) top side assemblies and two (2) 18" long pvc tubes.

Step 3: Slide the top half of the unit onto the base. Slide it all the way down to check the fit of the unit and to be sure it is together properly.

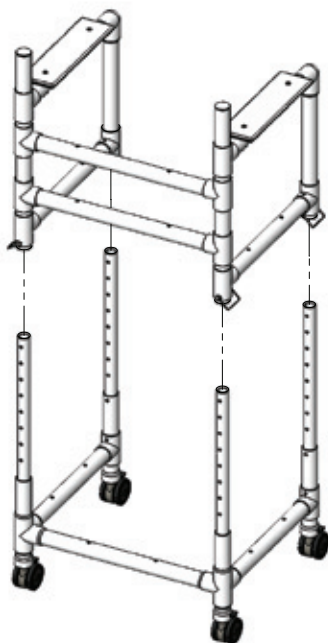
Step 4: Attach two (2) screws to each 18" long rail, connecting them to the rest of the unit.



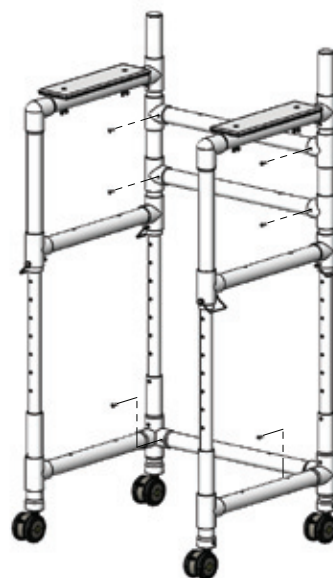
STEP 1



STEP 2



STEP 3



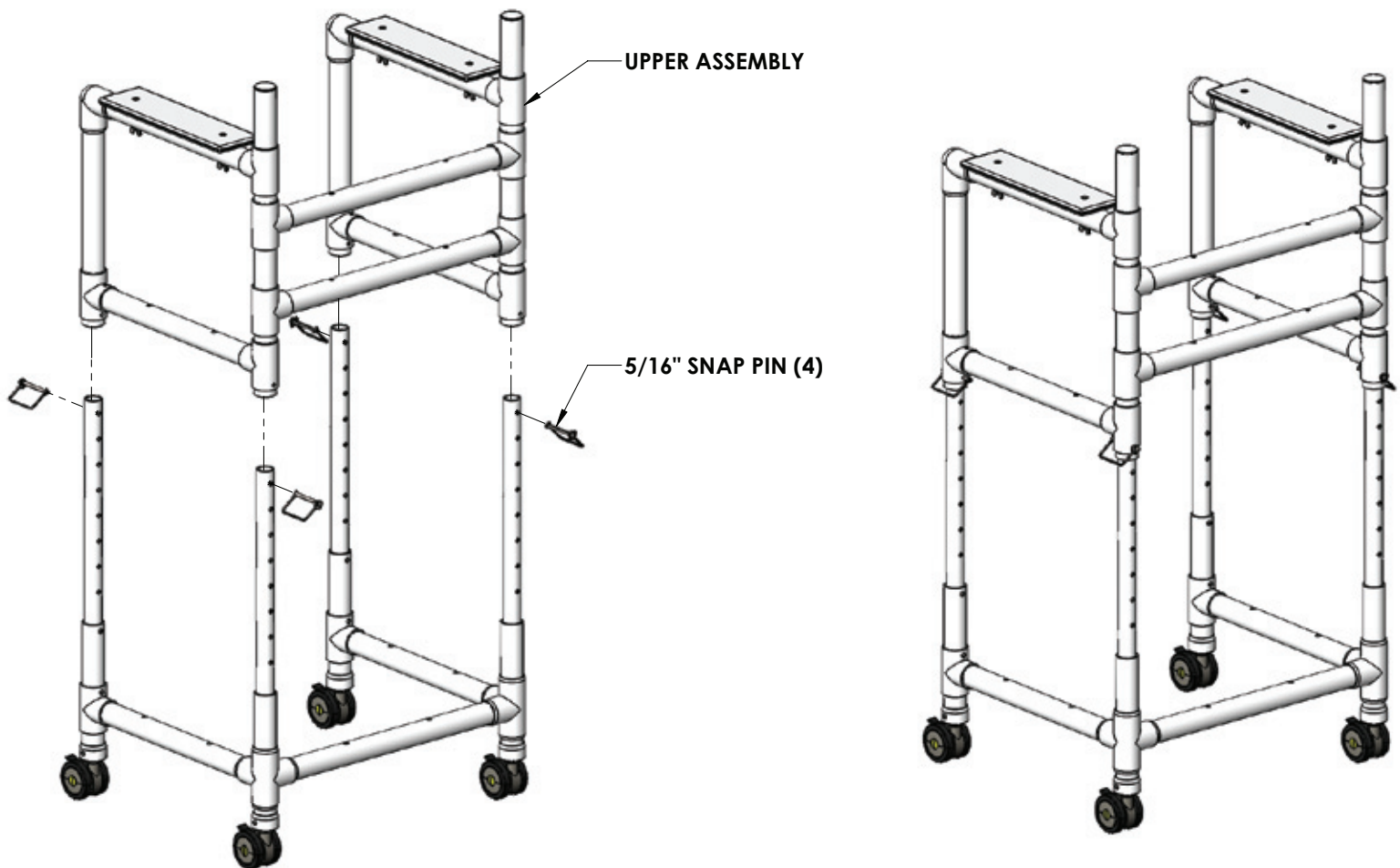
STEP 4

Adjusting The Aqua Walker

The Aqua Walker is easily adjustable for different heights. It is adjustable in one inch increments from 34 inches to 48 inches, measured from the floor to the top of the armrests. To adjust the height:

- 1) Remove the four (4) 5/16" snap pins.
- 2) Slide the Upper Assembly up or down until the desired height is obtained.
- 3) Replace the four (4) snap pins and snap the clips over the pins to hold them in place.

HINT: Count the holes from the bottom up to the desired hole/location to make sure all four snap pins are at the same height.



Using The Aqua Walker

The Aqua Walker can be used in two ways. It can be used in its standard configuration, without the arm rests, that allows a person to use it as they would a normal walker, by gripping onto the horizontal cross supports and supporting themselves using their hands (see “Standard Walker” photo below) or it can be used with the arm rests that allow the user to rest their forearms on the horizontal cross supports and brace their body using their forearms (see “Walker With Arm Rests” photo below).

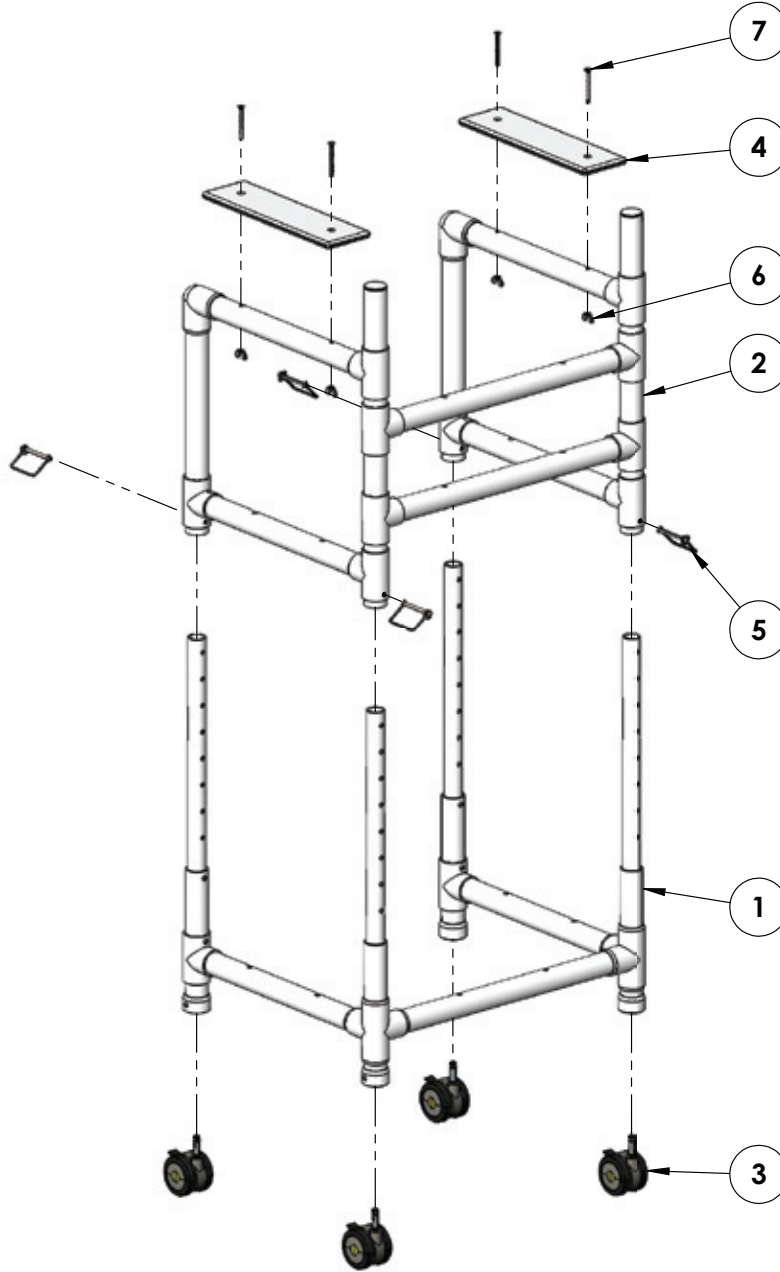


STANDARD WALKER



WALKER WITH ARM RESTS

Parts List



ITEM #	QTY	DESCRIPTION
1	1	LOWER FRAME SUB ASSEMBLY
2	1	UPPER FRAME SUB ASSEMBLY
3	4	MRI CASTER WITH BRAKE
4	2	ARM REST PLATE
5	4	5/16" X 2 1/4" SNAP PIN
6	4	1/4"-20 WING NUT
7	4	1/4" X 2 1/2" COUNTERSINK BOLT

AQUA CREEK PRODUCTS, LLC LIMITED ONE (1) YEAR WARRANTY:
UNDERWATER WALKER
(ITEM #'s F-605UW)

Aqua Creek Products, LLC (a.k.a. Aqua Creek) warrants to the original end user purchaser that products manufactured by Aqua Creek, when properly installed in accordance with assembly and installation instructions and properly used and maintained, shall be free from defects in material and workmanship for a period of **one (1) year from the date of original purchase**, provided that Aqua Creek receives prompt notice in writing of any defect or failure and satisfactory proof thereof, with the following exceptions:

Exceptions:

- This warranty specifically excludes reimbursement for labor to remove, repair, or install the product and any freight charges.
- This warranty does not cover any damages due to accident, force majeure, act of nature, misuse, abuse, negligence or failure to properly maintain any products, or normal wear and tear from day to day operations.
- In the event that any products are altered, repaired, or improperly installed by anyone without the prior written approval by Aqua Creek, all warranties are void.

IMPORTANT: User is not to exceed the rated weight capacity of this product. It is the responsibility of the product owner to verify the weight of the patron for warranty claim purposes and to ensure that the product is not overloaded.

To initiate a warranty claim, the owner of an Aqua Creek product must provide the place of purchase, in writing, with a full description of the product, its serial number, the dates of purchase and installation, and the exact nature of the defect. Within thirty (30) days after receipt of a written warranty claim by Aqua Creek, and barring any unforeseen delays, the place of purchase will be notified of Aqua Creek's decision regarding the claim. All warranty calculations are from date of original purchase at manufacturer's suggested retail price. Non-payment for product to Aqua Creek may void warranty.

If requested by Aqua Creek, any defective product must be returned, freight prepaid by customer, to Aqua Creek's designated factory location or duly appointed distributor for inspection and/or repair. Aqua Creek will, at its option, repair or replace the failed or defective item, and deliver the repaired product or replacement to the customer. All freight charges are the responsibility of the customer. Products returned to Aqua Creek for which Aqua Creek provides replacement under this limited warranty shall become the property of Aqua Creek. A new warranty period shall **NOT** be established for the repaired or replaced products. Such products shall remain under warranty only for the remainder of the original warranty period on the original products purchased.

This written limited warranty constitutes the final, complete and exclusive statement of warranty terms. No person or organization is authorized to make any other specific or implied warranties or representations on behalf of Aqua Creek.

THE WARRANTIES SET FORTH HEREIN ARE IN LIEU OF ALL OTHER WARRANTIES, EXPRESSED OR IMPLIED, WHICH ARE HEREBY DISCLAIMED AND EXCLUDED, INCLUDING WITHOUT LIMITATION ANY WARRANTY OF MERCHANTABILITY OR FITNESS FOR A PARTICULAR PURPOSE OR USE.

THE SOLE AND EXCLUSIVE REMEDIES FOR BREACH OF ANY AND ALL WARRANTIES WITH RESPECT TO THE PRODUCTS SHALL BE LIMITED TO REPAIR OR REPLACEMENT AT AQUA CREEK'S DESIGNATED FACTORY LOCATION, OR DULY APPOINTED DISTRIBUTOR, OR IN PLACE AT AQUA CREEK'S OPTION. IN NO EVENT SHALL AQUA CREEK'S LIABILITY EXCEED THE ENTIRE AMOUNT PAID TO AQUA CREEK BY THE ORIGINAL PURCHASER FOR THE FAILED OR DEFECTIVE PRODUCT.

IN NO EVENT SHALL AQUA CREEK PRODUCTS, LLC BE LIABLE FOR ANY INCIDENTAL, CONSEQUENTIAL, SPECIAL, INDIRECT, PUNITIVE OR EXEMPLARY DAMAGES OR LOST PROFITS FROM ANY BREACH OF THIS LIMITED WARRANTY OR OTHERWISE.

Aqua Creek Products, LLC
9889 Garrymore Lane
Missoula, MT 59808
Toll Free: (888) 687-3552
Local/Intnl: (406) 549-0769
www.aquacreek.com